



LIBRARY HANSAKO SECRETARY.

REPUBLIC OF NAURU

Government Gazette

Published by Authority

No.47

7th September, 1983.

Nauru.

G.N.No.381/1983.

REPUBLIC OF NAURU

PUBLIC SERVICE ACT 1961 - 1979

VACANCIES

DEPARTMENT OF ISLAND DEVELOPMENT & INDUSTRY

(Directorate of Civil Aviation)

The Department of Civil Aviation has vacancies for four (4) AIR HOSTESSES and invites applications from young women who are willing to undergo training as Air Hostesses with a view to employment by Air Nauru.

Applicants must:

- (a) be eighteen (18) years of age and over
- (b) weight in proportion to height.
- (c) supply particulars of their educational standard and present or previous employment.

Members of the Public Service are eligible to apply.

Acceptance for training as an Air Hostess does not in itself mean that applicants will be appointed to the Public Service. Those who complete the course successfully will however be eligible for employment by Air Nauru, either on a permanent or temporary basis.

Training will be undertaken in Nauru, with exception of some particular procedures, which will be undertaken in Melbourne. While undergoing training in Australia, successful applicants will be provided with accommodation and a subsistence allowance. On appointment as Air Hostesses after completion of training they will be paid commencing salaries as follows:

18 years of age	:	\$3384 per annum
19 years of age	:	\$3948 per annum
20 years of age	:	\$5076 per annum
21 years and over	:	\$5640 per annum

Applications should be forwarded to the Public Service Commissioner before 4.30 p.m. on Friday 16th September, 1983.

G.N.No.381/1983(Cont'd).

DATED this 31st day of August, 1983.

S.M. GOYAL
ACTING PUBLIC SERVICE COMMISSIONER

G.N.No.382/1983.

PUBLIC SERVICE ACT 1961-1979

VACANCY: SECTION 20

DEPARTMENT OF HEALTH AND EDUCATION

(Directorate of Health)

Applications are invited from Nauruans both inside and outside the Public Service for appointment, transfer or promotion to the following position:-

POSITION: SENIOR SISTER

SALARY: \$6372-\$6660 (T4) per annum

DUTIES: Will be responsible to the Director through the Matron and to the appropriate Medical Officer for full range of duties.

QUALIFICATIONS: General Nursing Certificate with Midwifery Certificate. 5 years work experience in community health programme particularly diabetes control, an added advantage.

Applications should be lodged in writing, stating name, age, experience and other qualifications with the Chief Secretary before 4.30 p.m. 16th September, 1983.

S.M. GOYAL
ACTING PUBLIC SERVICE COMMISSIONER

G.N.No.383/1983.

PUBLIC SERVICE ACT 1961-1979

(SECTIONS 62(3) & (4))

NOTICE OF RETIREMENT

DEPARTMENT OF WORKS & COMMUNITY SERVICES

The following retirement with effect from 25th August, 1983 is notified for information:-

No.47

7th September, 1983.

Nauru.

G.N.No.383/1983 (Cont'd).

<u>NAME</u>	<u>POSITION</u>	<u>SALARY</u>
Atangarena Stanley OTTO	Labourer	\$5292 p.a. (M1).

Dated this 31st day of August, 1983.

S.M. GOYAL
ACTING PUBLIC SERVICE COMMISSIONER

G.N.No.384/1983.

PUBLIC SERVICE ACT 1961-1979NOTICE OF RESIGNATION

The following resignation is notified for information.

DEPARTMENT OF WORKS AND COMMUNITY SERVICES

<u>NAME</u>	<u>POSITION</u>	<u>SALARY</u>
CANON, Kim	Foreman Concretor/Tiler	\$6774-6888 p.a.

The above resignation is effective as from 29th April, 1983.

Dated this 31st day of August, 1983.

S.M. GOYAL
ACTING PUBLIC SERVICE COMMISSIONER

G.N.No.385/1983.

SPECIAL NOTICE

The Nauru Lands Committee will be dealing with the following Deceased Estates at the Nauru Domaneab in Uaboe at time and date as indicated hereunder:-

<u>ESTATES</u>	<u>TIME</u>	<u>DATE</u>
Roy John Ware	9.30am	19/9/83
Toddy Hiram	2.30pm	"
Eidoguae Hiram	9.30am	20/9/83
Eamma Kreina Ratabwiy	2.30pm	"
Kabid Eirinaega Agigo	9.30am	21/9/83
Mervyn Ariyaderi Abemama	2.30pm	"
Augusta Appi	9.30am	22/9/83
Togoran Bugaiyo	2.30pm	"

G.N.No.385/1983 (Cont'd).

Deigaeruk Didugu	9.30am	23/9/83
Aigenoudi Adang Engin	2.30pm	"

Those who have interests in the above estates are invited to attend.

J.A. DAGUAPE
VICE CHAIRMAN
NAURU LANDS COMMITTEE.

G.N.No.386/1983.

CORRIGENDUM

The Nauru Lands Committee hereby re-gazette the undermentioned land which appeared in Gazette No.23 of 1961 on page 4.

District	Port. No.	C.L. P.L.	Name of Land	Ref.	Former Owners	Share	Present Owners	Share
Buada	235	c.l. p.l.	Barago	23/61	Cecil D.	1/4	Cecil	1/2
					Ereboweda E.	1/4	Ereboweda	1/2
Buada	364	c.l. p.l.	Barago	23/61	Bessie A.	1/14	Bessie Adu	1/7
					Maisie-A.	1/14	Maisy Adeang	1/7
					Nancy S. (dec'd)	1/14	Nancy S. (Est. of)	1/7
					Buraro D.	1/14	Buraro D.	1/7
					Sarah H.B.	1/42	Sarah H.Bam.	1/21
					Betty Bernicke	1/42	Betty B.	1/21
					Lijablorak	1/42	Lijablorak	1/21
					Lagumot H.	1/42	Lagumot H	1/21
					Labi Harris	1/42	Labi H.	1/21
					S.Beiua	1/42	S.Beiua	1/21
					Briar Rose	1/42	Briar Rose	1/21
					Mars Scotty	1/42	Mars S.	1/21
					Andrew T. (Dec'd)	1/42	(Eibireirok N. Tamakin	1/105
					Pamela T/ee		(Arabella N. Tamakin	1/105
		(Alek N.Tamakin	1/105					
		(April N.Tamakin	1/105					
		Pamela Aki (LTO).						

NOTE:

Nauru Lands Committee's decision as to the beneficiaries of the estate of Andrew Tamakin was published in Gazette No.58 of 1979.

Any person who is dissatisfied with the above corrigendum may appeal to the Supreme Court within 21 days of the publication of this Gazette.

No.47

7th September, 1983.

Nauru.

G.N.No.386/1983(Cont'd).

Dated this 17th February, 1983.

J.A. DAGUAPE
VICE CHAIRMAN
NAURU LANDS COMMITTEE.

G.N.No.387/1983.

LAND TRANSFER

It is notified for information that a request of transfer of land have been approved by His Excellency the Acting President.

That WILLIE HALSTEAD of NIBOK DISTRICT to Transfer all his share in Phosphate and Coconut Lands to his four children in Equal shares.

GRACE W. HALSTEAD
MELODY FRITZ
LYNARD W. HALSTEAD
JOYCE MALAI.

Dated this 13th day of August, 1983.

J.A. DAGUAPE
VICE CHAIRMAN
NAURU LANDS COMMITTEE.

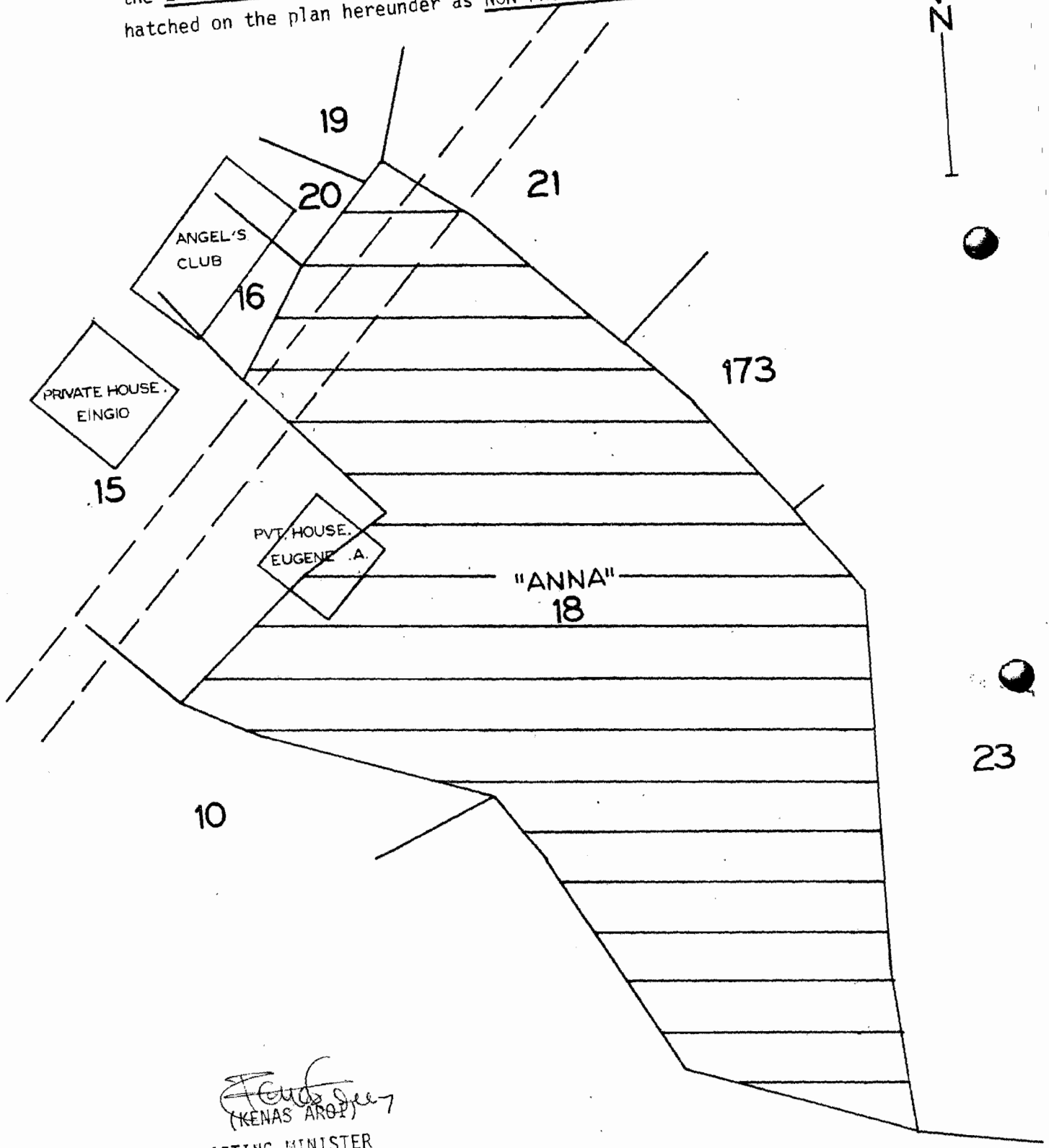
G.N.No.388/1983.

DISTRICT OF EWA

SCALE 1:50'

CLASSIFICATION OF LAND

BY VIRTUE of the powers vested in me by SECTION 7 of the LANDS ACT 1976, I HEREBY classify the land shown hatched on the plan hereunder as NON-PHOSPHATE BEARING.



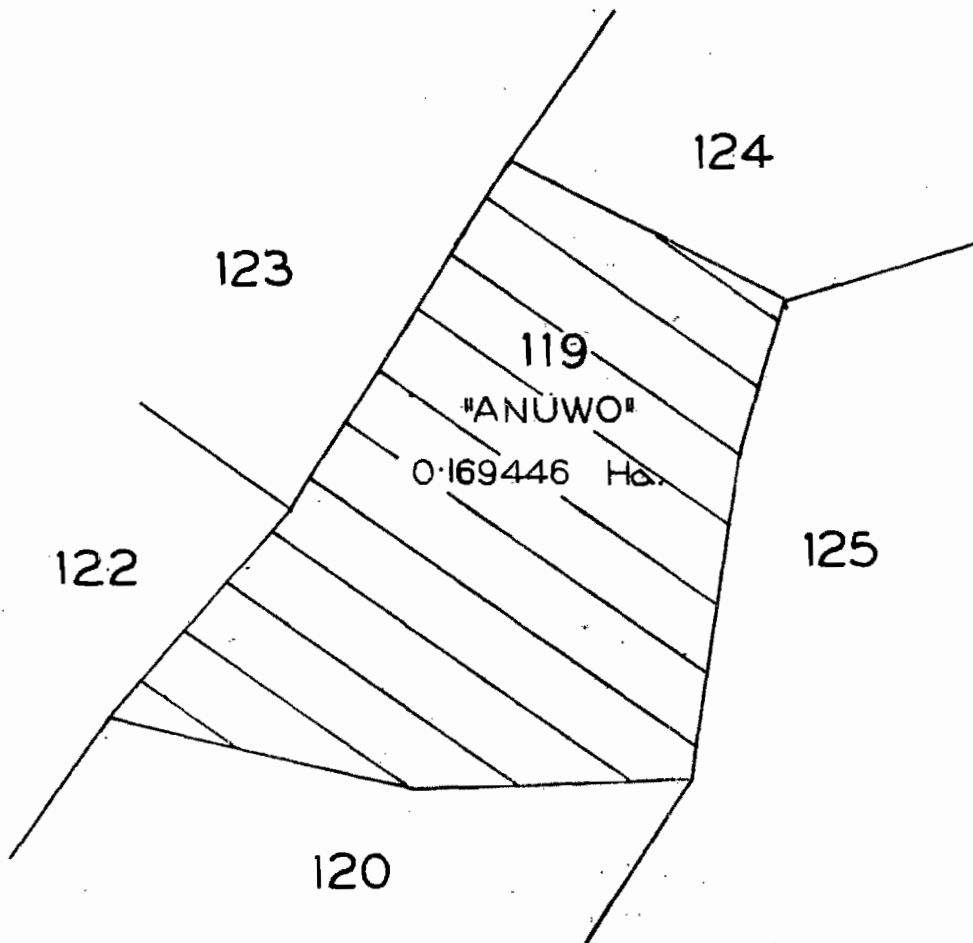
[Handwritten Signature]
(KENAS AROPI)

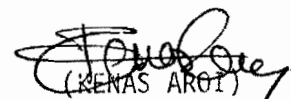
ACTING MINISTER
ISLAND DEVELOPMENT AND INDUSTRY.

DISTRICT OF ANABAR
SCALE: 1 : 50'

CLASSIFICATION OF LAND

BY VIRTUE of the powers vested in me by SECTION 7 of the LANDS ACT 1976, I HEREBY classify the land shown hatched on the plan hereunder as NON-PHOSPHATE BEARING.




(KENAS AROI)

ACTING MINISTER

ISLAND DEVELOPMENT AND INDUSTRY.

DISTRICT OF BUADA

SCALE 1:500

