



Speaker

REPUBLIC OF NAURU

Government Gazette

Published by Authority

No. 34

6th June, 1984.

Nauru.

G.N.No.178/1984.

PUBLIC SERVICE ACT 1961-1979

SECTION 15

CREATION OF OFFICES

I, HAMMER DEROBURT, Minister responsible for the Public Service in exercise of my powers under Section 15(1) (a) of the Public Service Act 1961-1979 DO HEREBY create the following office:-

DEPARTMENT OF HEALTH AND EDUCATION

(Directorate of Education)

<u>POSITION</u>	<u>NUMBER</u>	<u>CLASSIFICATION</u>
Typist	1	M1/C1 Salary Scale \$5416-\$5752

Dated this day of 29th May, 1984.

HAMMER DEROBURT
MINISTER
RESPONSIBLE FOR THE PUBLIC SERVICE

G.N.No.179/1984.

It is hereby notified for general information that the Speaker certified the following Act, which had been passed by Parliament and presented to him for his Certificate:

No.2 of 1984 - Appropriation Act 1984-1985

Dated this 31st day of May, One thousand nine hundred and eighty-four.

P. D. COOK
CLERK OF PARLIAMENT

G.N.No.180/1984.

BIRTHS, DEATHS AND MARRIAGESORDINANCE 1957-1967

Births, Deaths and Marriages registered the weekended were:-

BIRTHS1. NAURUANS

<u>Name</u>	<u>Date of Birth</u>	<u>Sex</u>	<u>Reg'd District</u>	<u>Mother's Name</u>
Baresca Eidebwedo Merrilyn Lovey B.L.E.T.T. Sesa Rosenda Seranette Eiyaiwo Lisesma Paulin	17/1/84	F	Buada	Lavender Eobob
Lucina Colette Eidinimidage Mahine-Rangi	31/1/84	F	Baitsi	Juliana Dekarube
Edina Xanna-Du Angelina Vicky Malaika	17/2/84	F	Nibok	Tebau Aiy
Johannah Moana Rose Eidine	27/2/84	F	Yaren	Rosario Itaia
Eimoma Trina Isabell Belle	1/3/84	F	Anetan	Elizabeth Gobure
Jascio Miriam Nessania Gezelia Peidin	6/3/84	F	Buada	Florence Bernicke
Sharalyn Florance Lily-June Ekuna	31/3/84	F	Anetan	Febrina Timothy
Andre-Brendan Christian Klenny Ted Jamuga Adeango Atte	2/4/84	M	Baitsi	Christina Adeango
Maria Phaedola Amengando	10/4/84	F	Nibok	Marissa Dowabobo

No.34

6th June, 1984.

Nauru.

G.N.No.180/1984 (cont'd).

Leonardo Da-Vinci Cameron Valento Nathaneal Deideinomo Erickson Gerry Illiano	14/4/84	M	Nibok	Gillian Itsimaera
Marcou Tio Wilas	17/4/84	M	Anetan	Joan Duburiya
Tina Merrilyn Belco Genesis Belanna Nita May-Mora	1/5/84	F	Aiwo	Zenna Deiye
Perez Jackin Demarin Moco Mosoca Kenchi Noska-Debagoro Markus Cherokee Agir.	7/5/84	M	Buada	Ravenia Dageago
Sharika Litania- Loretia Marincia Emoiren	12/5/84	F	Yaren	Sharon Kam
Baldon Moses Walter Farris	15/5/84	M	Ewa	Nora Akubor
Tini Abesieba Peter Caasi	18/5/84	M	Anetan	Enne Duburiya

DEATHS1. NAURUANS

<u>NAME</u>	<u>DATE OF DEATH</u>	<u>SEX</u>	<u>AGE</u>	<u>REG'D DISTRICT</u>	<u>TRIBE</u>
Edwar Deitsioma	19.5.84	M	70+	Anetan	Emea
Aaron Grundler	25.5.84	M	14yrs	Boe	Eamwit
Bun Aiy	27.5.84	M	33yrs	Baitsi	Emea
Garabwan Joseph	30.5.94	M	53yrs	Boe	Eamwit

MARRIAGES

William Alan McSwain of Australia and Kaipisa Kirimaua of Kiribati, on the 12th May, 1984, by the Rev. Iosia Taomia at the Location Church, Nauru.

G.N.No.180/1984. (cont'd)

Bo-Sang Leung and Foo-Fong Lo Ella Both from Hong Kong, on the 29th May, 1984, by the Acting Registrar of Births, Deaths and Marriages at the Government Offices, Yaren, Nauru.

Stephen James Hall and Gail Constance Lane both from New Zealand, on the 30th May, 1984, by the Acting Registrar of Births, Deaths and Marriages at the Government Offices, Yaren, Nauru.

P. CAIN
ACTING DEPUTY REGISTRAR
BIRTHS, DEATH & MARRIAGES

G.N. No.181/1984

Determination of the Beneficiaries of the Estate of the late Demaibure Fritz of Buada District.

E S T A T E

1. The Nauru Lands Committee has ascertained that the late Demaibure Fritz had been determined by the decisions of the Nauru Lands Committee (or its predecessor the Lands Committee to be the owner of the following lands:-

District	Portion No.	Type of Land	Name of Land	Gazette Notice of Ownership	Share
Aiwo	42	c.1	Anerue'	4/67	1/6 (LTO)
Aiwo	43	c.1	Anerue	4/67	1/6 "
Aiwo	66	c.1	-----	4/67	1/6 "
Aiwo	85	c.1	Aribwebwe	4/67	1/6 "
Aiwo	165	c.1	Yatam	4/67	1/6 "
Aiwo	143	c.1	Atemeniner	4/67	1/6 "
Aiwo	363	c.1	Iabato	4/67	1/6 "
Aiwo	386	c.1	Aribwebwe	4/67	1/6 "
Aiwo	370	c.1	Atorir	4/67	1/6 "
Aiwo	178	c.1 & p.1	Bwitiemar	4/67	1/6 "
Aiwo	396	c.1	Gagauwongo	4/67	1/6 "
Aiwo	329	p.1	-- ----	4/67	1/6 "
Aiwo	341	p.1	-----	4/67	1/6 "
Aiwo	209	c.1	Yangor	4/67	1/6 "
Aiwo	205	c.1	Aiue	4/67	1/6 "
Aiwo	235	c.1	Yangor	4/67	1/6 "

G.N.No.181/1984 (cont'd).

Aiwo	245	c.l.	Iyaranamet	4/67	1/6/ (LTO)
Aiwo	243	c.l.	Anibawo	4/67	1/6 "
Aiwo	240	c.l.	Anibawo	4/67	1/6 "
Aiwo	239	c.l.	Anibawo	4/67	1/6 "
Buada	272	c.l.	Animaeor	4/67	1/6 "
Buada	295	c.l.	Atuyümen	4/67	1/6 "
Buada	163	p.l.	Aeboe	4/67	1/6 "
Buada	155	p.l.	Aneawok	4/67	1/6 "
Buada	59	p.l.	Ijakabab	4/67	1/6 "
Buada	23	p.l.	Maren	4/67	1/6 "
Buada	51	p.l.	Ianbononpepe	4/67	1/6 "
BÖe	9	p.l.	-	4/67	1/6 "
Boe	125	c.l.	Airan	4/67	1/6 "
Denig	69	p.l.	Anota	4/67	1/6 "
Denig	195	c.l.	Atumururumur	4/67	1/6 "
Yaren	353	p.l.	Maren	4/67	1/6 "
Anibare	146	p.l.	Anotsiya	23/38	1/2
Anibare	148	p.l.	Anotsiya	23/38	1/2
Aiwo	387	c.l.	Aribwebwe	10/59	1/2
Buada	26	p.l.	Maren	44/31	1/2
Buada	63	p.l.	Ijakabab	35/32	1/2
Buada	308	c.l.	Adungidunger	36/64	1/2
Buada	319	c.l.	Idaubugia	46/64	1/2
Buada	293	c.l.	Ianemare	4/67	1/6 (LTO)
Buada	306	c.l.	Oebuebin	4/67	1/6 "
Buada	307	c.l.	Eibwijeje	4/67	1/6 "
Buada	318	c.l.	Iaranapo	4/67	1/6 "
Buada	280	c.l.	Eaterebabao	4/67	1/6 "
Buada	112	p.l.	Aujo	4/67	1/6 "
Buada	72	p.l.	Ijakabab	4/67	1/6 "
Buada	365	c.l.	-	18/84	1/6 "
Buada	346	c.l.	Uae	19/66	1/2
Meneng	204	p.l.	Maren	44/31	1/2
Yaren	347	p.l.	Maren	22/32	1/2
Denig	41	c.l.	Darawa	1/34	ALL
Denig	141	c.l.	Idarawa	36/54	1/2

G.N.No.182/1984.

DETERMINATION OF BENEFICIARIES

2. The Nauru Lands Committee has determined that the beneficiaries of the estate of the late Demaibure Fritz are:-

(a) in respect of the land shown in paragraph 1 above.

District	Portion No.	Name of Land	Beneficiaries	Share
Aiwo	42	Anerue	Aburuwe Fritz D. Rodney Fritz D Eidengab K. Depaune Eidamagin Fritz D. Marieta L Halstead	1/30 1/30 1/30 1/30 1/30
Aiwo	43	Anerue	As for portion No.42 Aiwo	
Aiwo	66	-	-do-	
Aiwo	85	Aribwebwe	-do-	
Aiwo	165	Yatam	-do-	
Aiwo	143	Atemeniner	-do-	
Aiwo	363	Tabato	-do-	
Aiwo	386	Aribwebwe	-do-	
Aiwo	370	Atorir	-do-	
Aiwo	178	Bwitieimar	-do-	
Aiwo	329	-	-do-	
Aiwo	396	Gagauwongo	-do-	
Aiwo	341	-	-do-	
Aiwo	209	Yangor	-do-	
Aiwo	205	Aiue	-do-	
Aiwo	235	Yangor	-do-	
Aiwo	245	Iyaranemet	-do-	
Aiwo	243	Iyaranemet	-do-	
Aiwo	240	Anibawo	-do-	
Aiwo	239	Anibawo	-do-	
Buada	272	Animaeor	-do-	
Buada	295	Atuyumen	-do-	
Buada	293	Ianemara	-do-	
Buada	306	Obuebin	-do-	
Buada	307	Eibwijeije	-do-	
Buada	318	Iyaranapo	-do-	

G.N.No.182/1984. (cont'd)

Buada	280	Eaterebabao	Aburuwe Fritz D	1/30
			Rodney Fritz D	1/30
			Eidengab K Depaune	1/30
			Eidamagin Fritz D	1/30
			Marieta L Halstard	1/30
Buada	112	Aujo	As for portion No 280 Buada	
Buada	72	Ijakabab	-do-	
Buada	163	Aeboe	-do-	
Buada	155	Aneawok	-do-	
Buada	59	Ijakabab	-do-	
Buada	23	Maren	-do-	
Buada	51	Ianbongonepe	-do-	
Boe	9	-----	-do-	
Boe	125	Airan	-do-	
Denigomodu	69	Anota	-do-	
Denig	195	Atumurumuru	-do-	
Yaren	353	Maren	-do-	
Anibare	146	Anotsiya	-do-	
Anibare	148	Anostsiya	-do-	
Aiwo	387	Aribwebwe	Aburuwe Fritz D	1/10
			Rodney Fritz D	1/10
			Eidengab K. Depaune	1/10
			Eidamagin Fritz D	1/10
			Marieta Halstead	1/10
Buada	26	Maren	As for portion No.387 Anibare	
Buada	63	Ijakabab	-do-	
Buada	308	Adungidungur	-do-	
Buada	319	Idaubugia	-do-	
Buada	346	Uae	-do-	
Meneng	204	Maren	-do-	
Yaren	347	Maren	-do-	
Denig	41	Darawa	Aburuwe Fritz D	1/5
			Rodney Fritz D	1/5
			Eidengab K Depaune	1/5
			Eidamagin Fritz D	1/5
			Marieta L Halstead	1/5
Buada	365	---	Aburuwe Fritz D	1/30
			Rodney Fritz D	1/30
			Eidengab K Depaune	1/30

No.34

6th June, 1984.

Nauru.

G.N.No.182/1984. (cont'd)

			Eidamagin Fritz D	1/30
			Marieta L Halstead	1/30
Denig	141	Darawa	Aburuwe Fritz D	1/10
			Rodney Fritz D	1/10
			Eidengab K Depaune	1/10
			Eidemagin Fritz D	1/10
			Marieta L Halstead	1/10

NOTE:

Any person who is dissatisfied with the distribution of the above estate may appeal to the Supreme Court within 21 days of the publication of this gazette.

(P.A Dowadi).
VICE CHAIRMAN.

G.N.No. 183/1984.

Determination of the Beneficiaries of the Estate of the late Hiram Demador of Nibok District.

E S T A T E

1. The Nauru Lands Committee has ascertained that the late Hiram Demador had been determined by the decisions of the Nauru Lands Committee (or its predecessor the Lands Committee to be the owner of the following lands :-

District	Port. No.	Type of Land	Name of land	Gaz. Notice of Ownership	Share
Buada	40	p.1	Ijati	27/54	1/7
Buada	180	p.1	Bouweri	3/55	4/9
Anibare	235	p.1	Anotiya	41/58	1/3
Buada	54	p.1	Ianobongonepe	47/58	7/24
Buada	44	p.1	Ijati	23/59	5/18
Meneng	226	p.1	Ijati	50/55	1/3
Meneng	218	p.1	Ijati	50/55	1/2
Buada	159	p.1	Bitiati	24/59	13/54
Buada	283	c.1	Ijanmara	51/60	1/20 (LTO)
Denig	23	p.1	Denigomodu	36/61	1/4 (LTO)
Denig	27	c.1	Anibubu	37/61	1/4 (LTO)
Denig	28	c.1	Anibubu	37/61	1/4 (LTO)

No. 34

6th June, 1984.

Nauru.

G.N.No. 183/1984 (cont'd)

Denig	252	p.1	Anat	22/68	1/4
Nibok	172	c.1	Ijeduen	46/61	1/5
Nibok	177	c.1	Ijanoror	45/61	1/4
Nibok	132	c.1	Anuwongon	49/61	1/4
Nibok	240	c.1	Eatdeme	37/66	1/4
Buada	41	p.1	Ideageang	5/83	1/2
Buada	269	c.1	Bitiati	39/61	1/20 (LTO)

G.N.No.184/1984.

DETERMINATION OF BENEFICIARIES

2. The Nauru Lands Committee has determined that the beneficiaries of the estate of the late Hiram Demador are:-
 (a) in respect of the land shown in paragraph 1 above.

District	Port. No.	Name of Land	Beneficiaries	Share
Buada	40	Ijati	(Margaret T Depaune	1/49
			(Davey Hiram	1/49
			(Myrna D Daguape	1/49
			(Joseph Hiram	1/49
			(Rick L Hiram	1/49
			Rebecca Hiram (LTO)	1/49
			Royden Hiram	1/490
			Alexey Hiram	1/490
			Jean Hiram	1/490
			Owen G Hiram	1/490
			John C Hiram	1/490
			Graham Hiram	1/490
			Phyllis Hiram	1/490
Raelyne Hiram	1/490			
Royden Hiram	1/490			
T/ee				
Adelestina	(Sharaine I B Hiram	1/980		
T/ee	Andelestina I B Hiram	1/980 (LTO)		
Buada	180	Bouweri	(Margaret T Depaune	4/63
			Rebecca Hiram	4/63
			(Davey Hiram	4/63
			(Joseph Hiram	4/63
			(Myrna D Daguape	4/63
			(Rick L Hiram	4/63
			Rebecca Hiram (LTO)	4/63
			Royden Hiram	2/315
			Alexey Hiram	2/315
			Jean Hiram	2/315
Owen G Hiram	2/315			

No. 34

6th June, 1984.

Nauru.

G.N.No.184/1984. (cont'd)

			John C Hiram	2/315
			Graham Hiram	2/315
			Phyllis Hiram	2/315
			Raelyne Hiram	2/315
		Royden Hiram	(Horrie Hiram	2/315
		T/ee		
		Andelestina	(Sharaine I B Hiram	1/315
		T/ee	Andelestina B Hiram	1/315
			(LTO)	
Anibare	235	Anotiya	(Margaret T Depaune	1/21
		Rebecca Hiram	(Davey Hiram	1/21
		T/ee	(Myrna D Daguape	1/21
			(Joseph Hiram	1/21
			(Rick L Hiram	1/21
			Rebecca Hiram (LTO)	1/21
			Royden Hiram	1/210
			Alexey Hiram	1/210
			Jean Hiram	1/210
			Owen G Hiram	1/210
			John Hiram	1/210
			Graham Hiram	1/210
			Phyllis Hiram	1/210
			Raelyne Hiram	1/210
		Royden Hiram	(Horrie Hiram	1/210
		T/ee		
		Andelestina	(Sharaine I B Hiram	1/420
		T/ee	Andelestina B Hiram	1/420
			(LTO)	
Buada	54	Ianobongonepe	(Margaret T Depaune	1/24
		Rebecca Hiram	(Davey Hiram	1/24
		T/ee	(Myrna D Daguape	1/24
			(Joseph Hiram	1/24
			(Rick L Hiram	1/24
			Rebecca Hiram (LTO)	1/24
			Royden Hiram	1/240
			Alexey Hiram	1/240
			Jean Hiram	1/240
			Owen G Hiram	1/240
			John C Hiram	1/240
			Phyllis Hiram	1/240
			Raelyne Hiram	1/240
		Royden Hiram	(Horrie Hiram	1/240
		T/ee		
		Andelestina	(Sharaine I B Hiram	1/480
		T/ee	Andelestina Hiram (LTO)	1/480
Buada	44	Ijati	(Margaret T Depaune	5/126
		Rebecca Hiram	(Davey Hiram	5/126
		T/ee	(Myrna D Daguape	5/126
			(Joseph Hiram	5/126
			(Rick L Hiram	5/126

No.34

6th June, 1984.

Nauru.

G.N.No.184/1984. (cont'd)

			Rebecca Hiram (LTO)	5/126
			Royden Hiram	1/252
			Alexey Hiram	1/252
			Jean Hiram	1/252
			Owen G Hiram	1/252
			John C Hiram	1/252
			Graham Hiram	1/252
			Phyllis Hiram	1/252
			Raelyne Hiram	1/252
		Royden Hiram T/ee	(Horrie Hiram	1/252
		Andelestina T/ee	(Sharaine I B Hiram	1/504
			Andelestina I B Hiram (LTO)	1/504
Meneng	226	Ijati	(Margaret T Depaune	1/21
		Rebecca Hiram T/ee	(Davey Hiram	1/21
			(Myrna D Daguape	1/21
			(Joseph Hiram	1/21
			(Rick L Hiram	1/21
			Rebecca Hiram (LTO)	1/21
			Royden Hiram	1/210
			Alexey Hiram	1/210
			Jean Hiram	1/210
			Owen G Hiram	1/210
			John C Hiram	1/210
			Graham Hiram	1/210
			Phyllis Hiram	1/210
			Raelyne Hiram	1/210
		Royden Hiram T/ee	(Horrie Hiram	1/210
		Andelestina T/ee	(Sharaine I B Hiram	1/420
			Andelestina I B Hiram (LTO)	1/420
Meneng	218	Ijati	(Margaret T Depaune	1/14
		Rebecca Hiram T/ee	(Davey Hiram	1/14
			(Myrna D Daguape	1/14
			(Joseph Hiram	1/14
			(Rick L Hiram	1/14
			Rebecca Hiram (LTO)	1/14
			Royden Hiram	1/140
			Alexey Hiram	1/140
			Jean Hiram	1/140
			Owen G Hiram	1/140
			John C Hiram	1/140
			Graham Hiram	1/140
			Phyllis Hiram	1/140
			Raelyne Hiram	1/140
		Royden Hiram T/ee	(Horrie Hiram	1/140

No.34

6th June, 1984.

Nauru.

G.N.No.184/1984 (cont'd)

		Andelestina T/ee	(Sharaine I B Hiram Andelestina I B Hiram (LTO)	1/280 1/280
Denig	23	Denigomodu Rebecca Hiram T/ee	(Margaret T Depaune (Davey Hiram (Myrna D Daguape (Joseph Hiram (Rick L Hiram Rebecca Hiram (LTO)	1/28 1/28 1/28 1/28 1/28 1/28
			Royden Hiram Alexey Hiram Jean Hiram Owen G Hiram John C Hiram Graham Hiram Phyllis Hiram Raelyne Hiram (Horrie Hiram	1/280 1/280 1/280 1/280 1/280 1/280 1/280 1/280
		Royden Hiram T/ee Andelestina T/ee	(Sharaine I B Hiram Andelestina I B Hiram (LTO)	1/560 1/560
Denig	27	Anibubu	As for portion No. 23 Denigomodu	
Denig	28	Anibubu	-do-	
Denig	252	Anat	-do-	
Nibok	177	Ijanoror	-do-	
Nibok	132	Anuwongon	-do-	
Nibok	240	Eatdeme	-do-	
Buada	283	Ijamara Rebecca Hiram T/ee	(Margaret T Depaune (Davey Hiram (Myrna D Daguape (Joseph Hiram (Rick L Hiram Rebecca Hiram (LTO)	1/140 1/140 1/140= 1/140 1/140 1/140
			Royden Hiram Alexey Hiram Jean Hiram Owen G Hiram John C Hiram Graham Hiram Phyllis Hiram Raelyne Hiram (Horrie Hiram	1/1400 1/1400 1/1400 1/1400 1/1400 1/1400 1/1400 1/1400
		Royden Hiram T/ee Andelestina T/ee	(Sharaine I B Hiram Andelestina I B Hiram (LTO)	1/2800 1/2800

No.34

6th June, 1984.

Nauru.

G.N.No.184/1984. (cont'd)

Nibok	172	Ijeduen Rebecca Hiram T/ee	(Margaret T Depaune	1/35
			(Davey Hiram	1/35
			(Myrna D Daguape	1/35
			(Joseph Hiram	1/35
			(Rick L Hiram	1/35
			Rebecca Hiram (LTO)	1/35
			Royden Hiram	1/350
			Alexey Hiram	1/350
			Jean Hiram	1/350
			Owen G Hiram	1/350
			Graham Hiram	1/350
			John C Hiram	1/350
			Phyllis Hiram	1/350
			Raelyne Hiram	1/350
(Horrie Hiram	1/350			
Royden Hiram T/ee				
Andelestina T/ee	(Sharaine I B Hiram	1/630		
	Andelestina I B Hiram (LTO)	1/630		
Buada	269	Bitiati Rebecca Hiram T/ee	(Margaret T Depaune	1/140
			(Davey Hiram	1/140
			(Myrna D Daguape	1/140
			(Joseph Hiram	1/140
			(Rick L Hiram	1/140
			Rebecca Hiram (LTO)	1/140
			Royden Hiram	1/1400
			Alexey Hiram	1/1400
			Jean Hiram	1/1400
			Owen G Hiram	1/1400
			Graham Hiram	1/1400
			John C Hiram	1/1400
			Phyllis Hiram	1/1400
			Raelyne Hiram	1/1400
(Horrie Hiram	1/1400			
Royden Hiram T/ee				
Andelestina	(Sharaine I B Hiram	1/2800		
	Andelestina I B Hiram (LTO)	1/2800		
Buada	159	Bitiati Rebecca Hiram T/ee	(Margaret T Depaune	13/378
			(Davey Hiram	13/378
			(Myrna D Daguape	13/378
			(Joseph Hiram	13/378
			(Rick L Hiram	13/378
			Rebecca Hiram (LTO)	13/378
			Royden Hiram	13/3780
			Alexey Hiram	13/3780
			Jean Hiram	13/3780
			Owen G Hiram	13/3780
			Graham Hiram	13/3780
			John C Hiram	13/3780

No. 34

6th June, 1984.

Nauru.

G.N.No.184/1984. (cont'd)

			Phyllis Hiram	13/3780
			Raelyne Hiram	13/3780
		Royden Hiram	- (Horrie Hiram	13/3780
		T/ee		
		Andelestina	(Sharaine I B Hiram	13/7560
		T/ee	Andelestina I B Hiram	13/7560
			(LTO)	
Buada	41	Ideāgenag	(Margaret T Depaune	1/140
		Rebecca Hiram	(Davey Hiram	1/140
		T/ee	(Myrna D. Daguape	1/140
			(Joseph Hiram	1/140
			(Rick L Hiram	1/140
			Rebecca Hiram (LTO)	1/140
			Royden Hiram	1/1400
			Alexey Hiram	1/1400
			Jean Hiram	1/1400
			Owen G Hiram	1/1400
			Graham Hiram	1/1400
			John C Hiram	1/1400
			Phyllis Hiram	1/1400
			Raelyne Hiram	1/1400
		Royden Hiram	(Horrie Hiram	1/1400
		T/ee		
		Andelestina	(Sharaine I B Hiram	1/2800
		T/ee	Andelestina I B Hiram	1/2800
			(LTO)	

NOTE:

Any person who is dissatisfied with the distribuyion of the above estate may appeal to the Supreme Court within 21 days of the publication of this gazette.

P.A. Dowadi
VICE CHAIRMAN

G.N.No.185/1984.

Determination of the Beneficiaries of the Estate of the late Babedi Kiraut of Yaren District.

E S T A T E

- The Nauru Lands Committee has ascertained that the late Babedi Kiraut been determined by the decisions of the Nauru Lands Committee (or its predecessor the Lands Committee to be the owner of the following lands:-

District	Port. No.	Type of Land	Name of Land	Gaz. Notice of Ownership	Share
Yaren	298	p.1	Baraidona	42/81	1/8

No. 34

6th June, 1984

Nauru.

G.N.No.185/1984. (cont'd)

Yaren	278	p.l.	Ubadu	42/81	1/8
Yaren	237	p.l.	Mangange	42/81	1/8
Yaren	280	p.l.	Aditijue	42/81	1/8
Yaren	179	c.l.	Idagamara	142/81	1/8
Yaren	180	c.l.	Idagamara	42/81	3/20
Yaren	150	c.l.	Ubadu	42/81	3/20
Yaren	341	p.l.	Umwanawa	42/81	1/10
Yaren	121	c.l.	Arra	42/81	1/8
Yaren	152	c.l.	Ubadau	42/81	1/4
Meneng	227	p.l.	Atongoque	42/81	1/4
Meneng	161	c.l.	Yangom	42/81	1/8
Meneng	157	c.l.	Yangom	42/81	1/8
Meneng	156	c.l.	Yangom	42/81	1/8
Meneng	361	p.l.	Bwiran	42/81	1/12
Meneng	363	p.l.	Bwiran	42/81	1/12
Uaboe	43	p.l.	Oquore	42/81	1/8
Aiwo	234	c.l.	Yangor	42/81	1/4
Aiwo	231	c.l.	Yangor	42/81	1/4
Aiwo	393	c.l.	Gagauwongo	42/81	1/4
Buada	249	c.l.	Arra	42/81	1/4
Boe	65	c.l.	Atubwinmar	42/81	1/4
Buada	228	c.l.	Bockerara	42/81	1/4
Buada	w.21	-		42/81	1/8
Boe	67	c.l.	Iwugaga	42/81	1/4
Boe	151	c.l.	Atubwinmar	42/81	1/4

G.N.No.186/1984.

DETERMINATION OF BENEFICIARIES

2. The Nauru Lands Committee has determined that the beneficiaries of the estate of the late Babedi Kiraut are:-

(a) in respect of the land shown in paragraph 1 above.

District	Portion No.	Name of Land	Beneficiaries	Share
Yaren	298	Baraidona	Akibwib A Eiquanemet Odanga Itsiwido R.Grundler	1/24 (LTO) 1/24 1/24

G.N.No.186/1984 (cont'd).

Yaren	278	Ubadu	As for portion No.298 Yaren	
Yaren	237	Mangange	-do-	
Yaren	280	Aditijue	-do-	
Yaren	179	Idagamara	-do-	
Yaren	121	Arra	-do-	
Meneng	161	Yangom	-do-	
Meneng	157	Yangom	-do-	
Meneng	156	Yangom	-do-	
Uaboe	43	Oquore	Akibwib A	1/24 (LTO)
			Eiquanemet Odanga	1/24
			Itsiwido R. Grundler	1/24
Yaren	152	Ubadu	Akibwib A	1/12 (LTO)
			Eiquanemet Odanga	1/12
			Itsiwido R. Grundler	1/12 ¹
Meneng	227		As for portion 152 Yaren.	
Aiwo	234	Yangor	-do-	
Aiwo	231	Yangor	-do-	
Aiwo	393	Gagauwongo	-do-	
Buada	249	Arra	-do-	
Buada	228	Bockerara	-do-	
Buada	w.21	-	As for portion 298 Yaren	
Boe	65	Atubwinmar	As for portion 152 Yaren	
Boe	67	Iwugaga	-do-	
Boe	151	Atubwinmar	-do-	
Meneng	361	Bwiran	Akibwib A	1/36 (LTO)
			Eiquanemet Odanga	1/36
			Itsiwido R. Grundler	1/36
Meneng	363	Bwiran	As for portion 361 Meneng	
Yaren	180	Idagamara	Akibwib A	1/20 (LTO)
			Eiquanemet Odanga	1/20
			Itsiwido Grundler	1/20
Yaren	150	Ubada	As for portion 180 Yaren.	
Yaren	341	Umwana	Akibwib A.	1/30 (LTO)
			Eiquanemet Odanga	1/30
			Itsiwido R. Grundler	1/30

NOTE: Any persons who is dissatisfied with the distribution of the above estate may appeal to the Supreme Court within 21 days of the publication of this gazette.

P. A. DOWADI
VICE CHAIRMAN.

No.34

6th June, 1984.

Nauru.

G.N.No.187/1984.

LAND TRANSFER

It is notified for general information that the following Land Transfer below has been approved by His Excellency the President.

District	Port No.	Block Name	Original Owner	Share	Gaz	Proposed Owners	Share
Anabar	63 P.L.	Atoiedi	Daraimon D	1/25	39/79	Daraimon D Paul Ainqimea	1/50 1/50

P. A. DOWADI
VICE CHAIRMAN

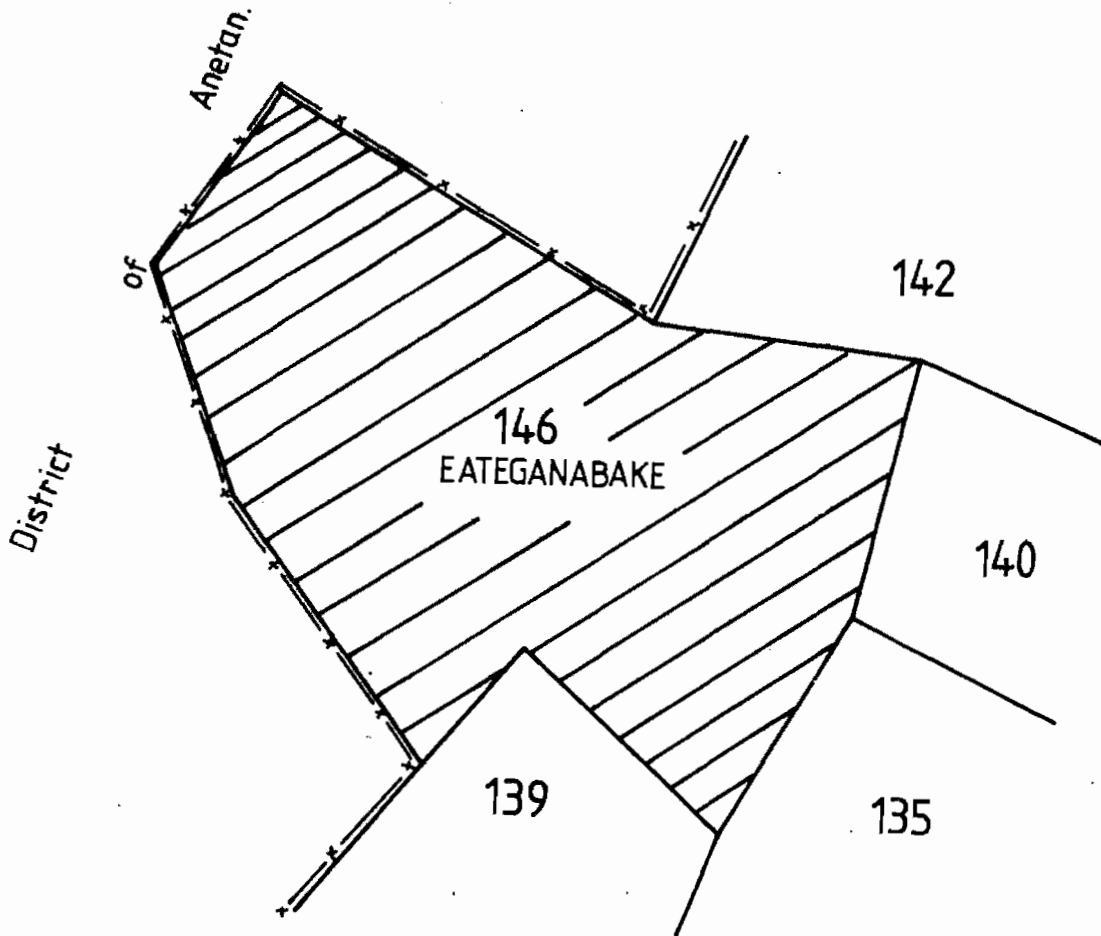
G.N.No.188/1984.

DISTRICT OF ANABAR

Scale 1:500metres.

CLASSIFICATION OF LAND

BY VIRTUE of the powers vested in me by SECTION 7 of the LANDS ACT 1976, I HEREBY classify the land shown hatched on the plan herein as NON-PHOSPHATE BEARING.



Hammer Derobert
HAMMER DEROBERT

MINISTER

FOR ISLAND DEVELOPMENT & INDUSTRY.

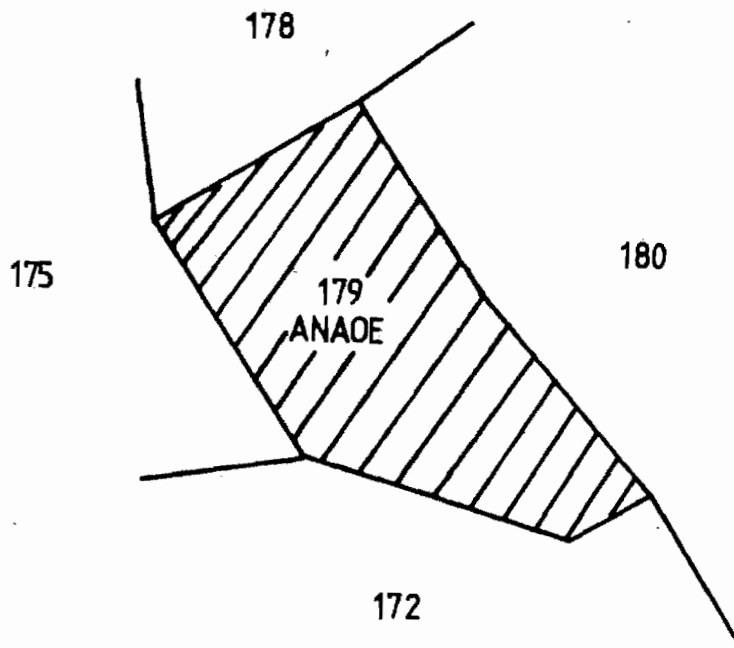
DISTRICT OF MENENG

Scale 50' = 1"



CLASSIFICATION OF LAND

BY VIRTUE of the powers vested in me by SECTION 7 of the LANDS ACT 1976, I HEREBY classify the land shown hatched on the plan herein as NON-PHOSPHATE BEARING.



Hammer Derobert
HAMMER DEROBERT

MINISTER

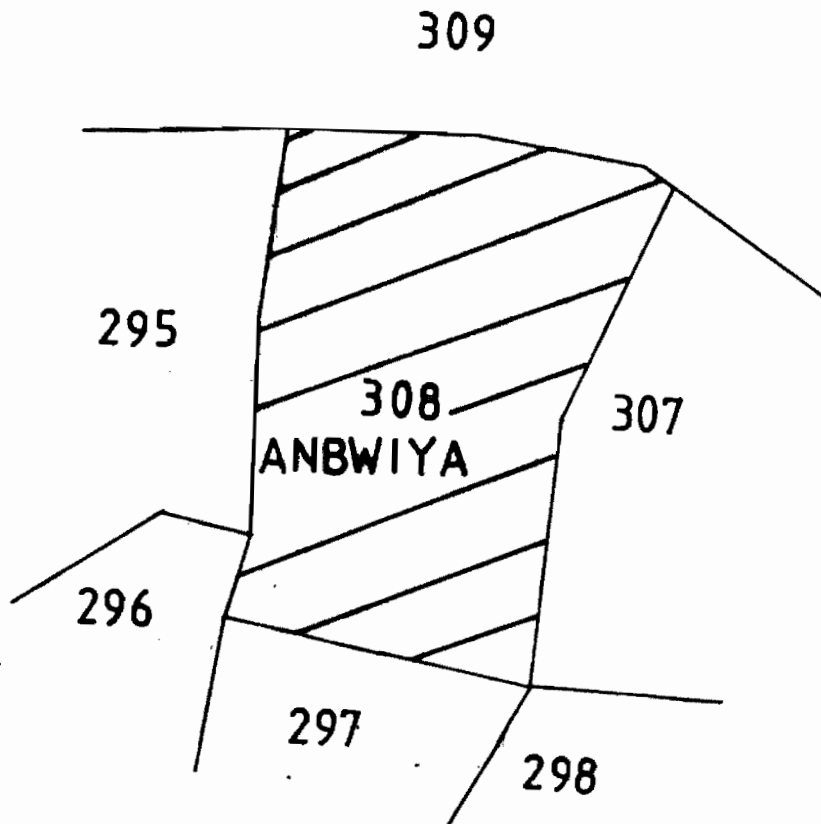
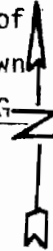
FOR ISLAND DEVELOPMENT & INDUSTRY.

G.N.No.190/1984.

DISTRICT OF MENENG
SCALE 100' = 1"

CLASSIFICATION OF LAND

BY VIRTUE of the powers vested in me by SECTION 7 of
the LANDS ACT 1976, I HEREBY classify the land shown
hatched on the plan herein as NON-PHOSPHATE BEARING



Hammer de Robert
HAMMER DEROBERT.

MINISTER

FOR ISLAND DEVELOPMENT & INDUSTRY.